

Matchbox-sized Power and RS-232 Injector



Part No: 9133 0005

Highlight Features

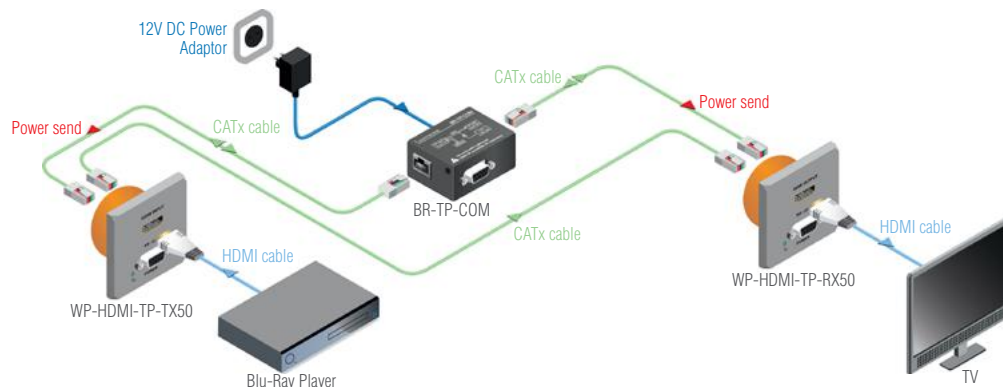
- System setup tool
- Control options available through RS-232
- Works as a remote +12V power source for Lightware TP series wallplates and all other TP series extenders

The Lightware BR-TP-COM is a matchbox sized DDC cable breakout which has two RJ45 connectors, a serial RS-232 control port and a locking DC connector. The device doesn't need to be supplied with power unless it is intended to work as a remote power source – this application requires the optional power supply. In this case it can transfer +12V through the CATx cable for connected devices.

The two RJ45 connectors break the CATx DDC cable which opens the door for the user to control any options and the EDID management via the RS-232 port. It makes the BR-TP-COM very useful in applications where it is used with HDMI-TP extenders as an access for the RS-232 port or as a remote power source.

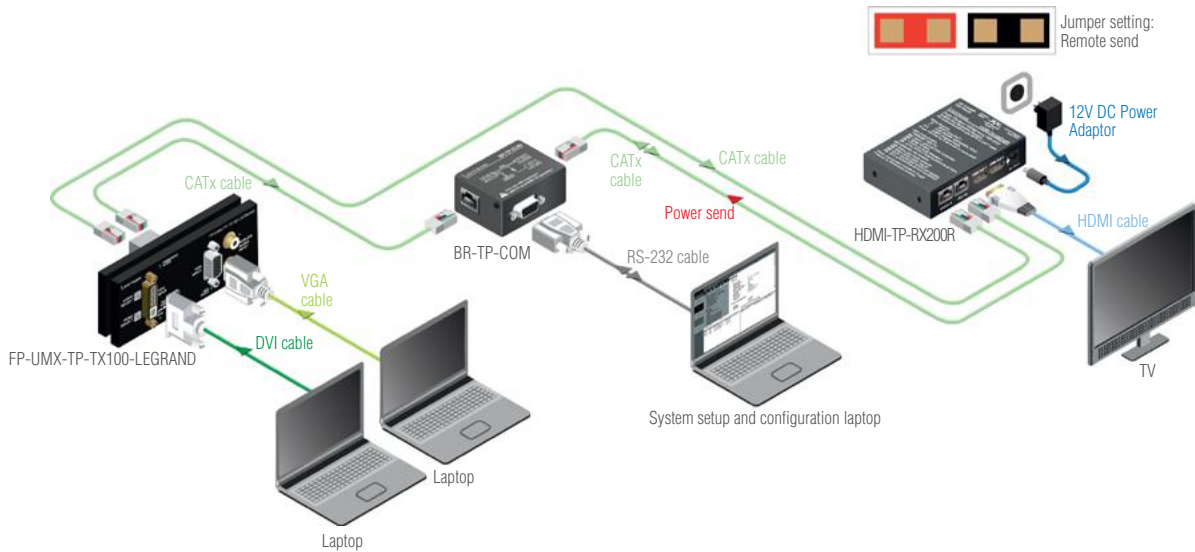
BR-TP-COM is used to perform source selection, audio and video autosense, priority settings and EDID management in WP-UMX-TP or FP-UMX-TP transmitters from remote location over RS-232 control.

Integrated as Power Source

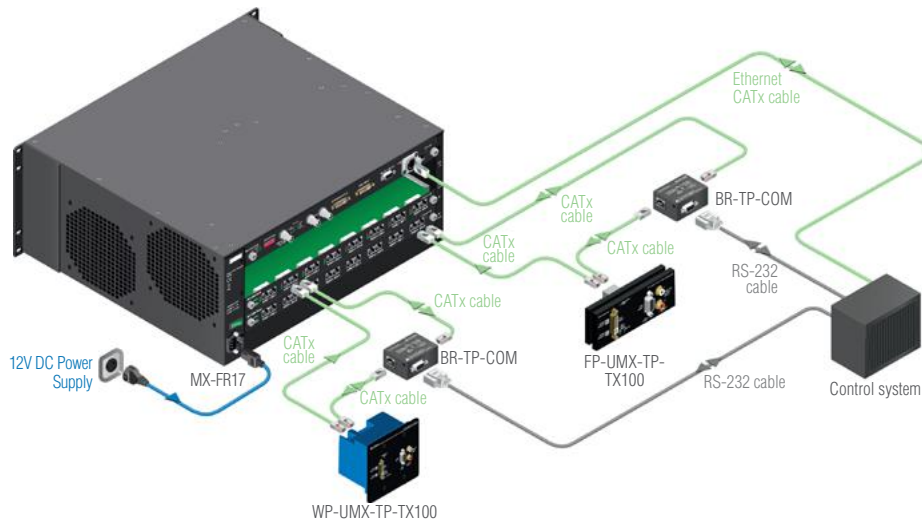


The wall and floor plates are always powered remotely in every application from the remote end device like a matrix switch or standalone transmitter or receiver. The BR-TP-COM is used as remote power source for both TX and RX side wallplates.

Temporary System Installation Tool



Integrated System Operation



With the permanent installation of the BR-TP-COM we are able to select the active input or change EDID on the inputs of the wall and the floor plates through the control system.

Front and Side View



Compatible products:

- WP-UMX-TP-TX100-EU
- WP-UMX-TP-TX100-EUROMOD
- WP-UMX-TP-TX100-UK
- WP-UMX-TP-TX100-US
- FP-UMX-TP-TX100-LEGRAND
- FP-UMX-TP-TX100-GB3
- WP-HDMI-TP-TX50R
- WP-HDMI-TP-RX50R
- WP-HDMI-TP-RX50A
- WP-DVI-HDCP-TP-TX50R
- WP-DVI-HDCP-TP-RX50R
- WP-DVI-HDCP-TP-RX50A
- MX-HDMI-TP-IB
- MX-HDMI-TP-OB
- HDMI-TP-RX100R
- HDMI-TP-RX100RA
- HDMI-TP-RX200R
- HDMI-TP-TX100R
- HDMI-TP-TX200R
- DVI-HDCP-TP-TX100R
- DVI-HDCP-TP-RX100R
- UMX-TP-TX100R

Applications

- System setup tool
- Conference rooms

Features

- Creates an access to the EDID management
- Control options available through RS-232
- It doesn't need to be supplied with power unless it is intended to work as a remote power source
- Works as a remote +12V power source for Lightware TP series wallplates and all other TP series extenders
- Solid metal housing for professional use

Optional accessory



PSU-12VU Universal DC adaptor (Part No: 1180 0051)

BR-TP-COM is delivered without power supply. The optional PSU-12VU should be ordered separately when required by the application.

Universal input: 100-240 V AC, 50-60 Hz,

Output: 12 V DC, 2.5 A

Specifications

HDCP pass through:	Yes
EDID emulation:	Transparent EDID
RS-232 pass through:	Yes
Power consumption:	0 W
Enclosure:	Solid metal
Dimensions:	55 W x 42 D x 30 H mm
Weight:	105 g
Compliance:	CE
Warranty:	3 years

Connectors

TX input , RX output:	RJ45 connectors
Serial port:	RS-232 9 pole D-sub
Power (for remote power option):	12V 2.1/5.5 mm locking DC connector